

DIMENSION 8' EXTERIEUR.
 64" INTERIEUR
 12' HAUTEUR.



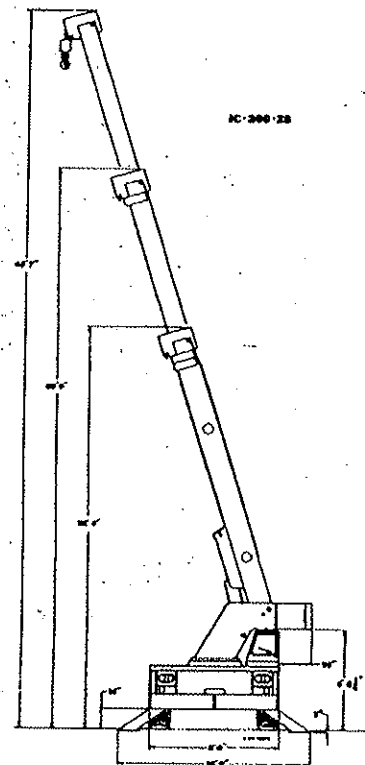
DMC BRODERSON
 Manufacturing Corp.

P.O. Box 14770, Lenexa, KS 66285-4770
 (913) 888-0606 • FAX (913) 541-0690

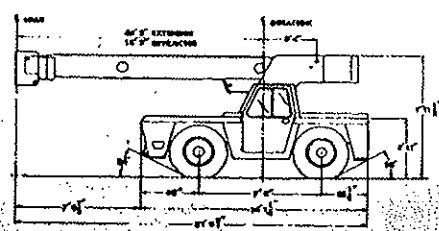
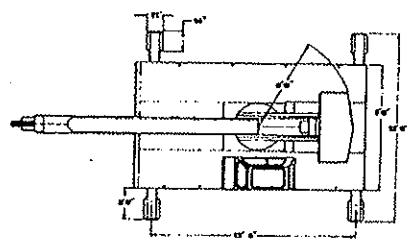
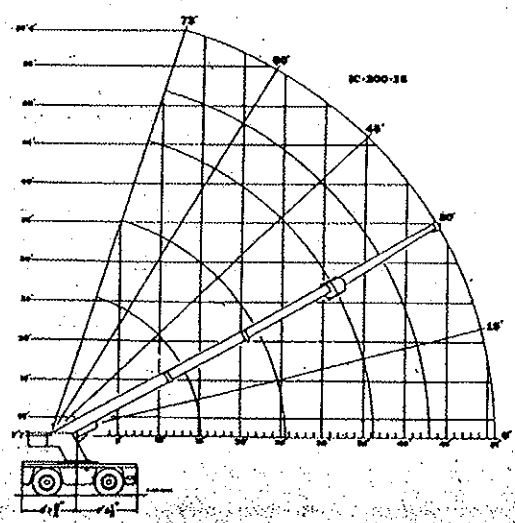
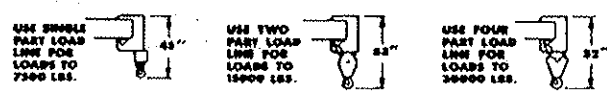
ITEM NO.

IC-200-2B

LOAD RADIUS FEET	BOOMS RETRACTED		BOOMS EXTENDED		15' BOOM EXTENSION INSTALLED	
	ON O/R*	ON O/R*	ON RUBBER	ON O/R*	ON RUBBER	
8	30000	30000	18000	7500	7500	
8	25000	23900	13000	7500	7500	
10	19500	20000	11000	7100	7100	
12	16000	16000	8300	6150	6150	
14	13500	12500	6600	5425	5425	
16		9500	5030	4850	4850	
19		7800	3700	4175	4175	
22		7050	3125	3675	3675	
25		6100	2225	3275	3275	
28		5100	1825	3000	2450	
32		4080	1400	3000	1850	
36		3315	1100	3000	1450	
40				2800	1100	
45				2500	775	
51				2200	700	



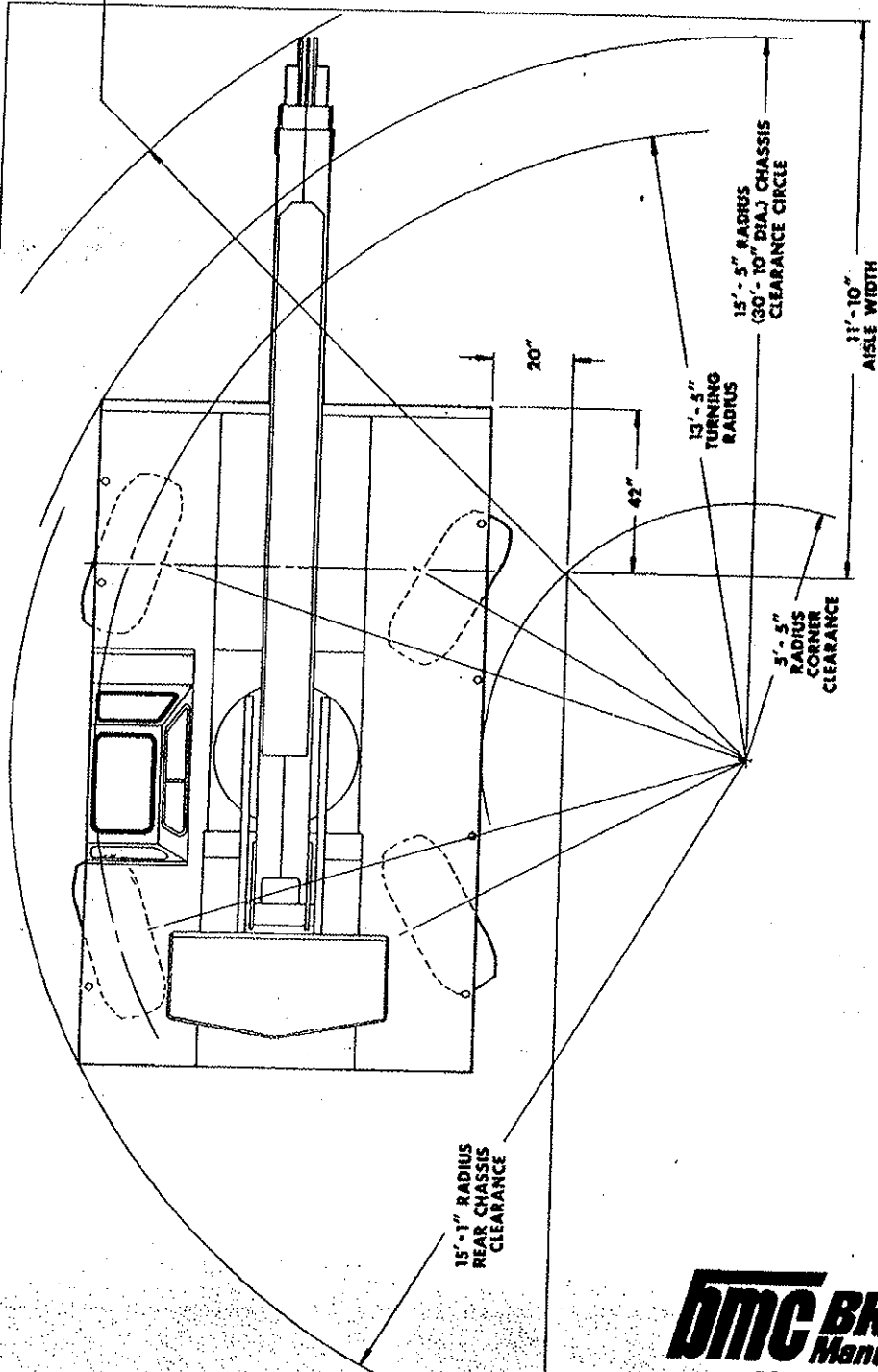
1. Capacities on outriggers are 85% of tipping loads. Capacities on rubber 75% of tipping loads.
2. Deduct 120 lbs. with Boom Extension in stowed position.



TURNING SPEC

IC-200

18'-0" RADIUS
BOOM ARC, STRAIGHT,
FLAT, RETRACTED.



IC-200-2B

BMC BRODERSON
Manufacturing Corp.

P.O. Box 14770, Lenexa, KS 66285-4770
(913) 888-0606 • FAX (913) 841-0690